

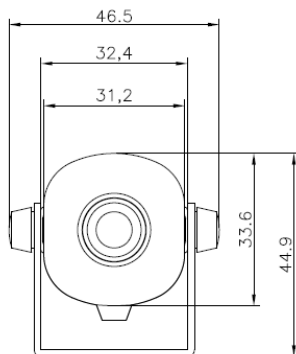
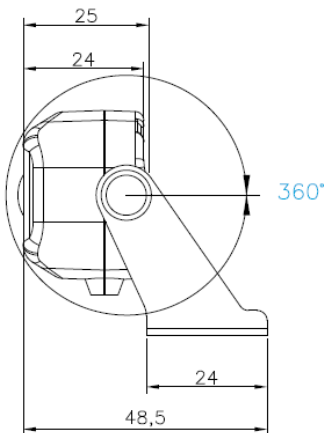


Main Features

- 1/2.7" 3.0µm Progressive CMOS Sensor
- 2 Mega Pixels (1080p 25/30)
- Fixed Board Lens (f=3.3mm)
- 2D-DNR Supported
- UTC Supported
- Video Extension Cable Available Optionally
- Miniature Box Type(31x33.5mm)
- Operation Voltage : DC5~12V



Dimension



Specifications

Model	DTR-100B
Signal System	AHD 2.0
Pickup Device	1/2.7"(D-6.64mm) 2.09M CMOS Sensor
Scanning System	Progressive Scan (16:9)
Sync. System	Internal
Total Pixels	2.35MP [2040(H)x1154(V)]
Active Pixels	2.09MP [1928(H)x1088(V)]
Min. Illumination	0.4Lux
Resolution	1080p full-HD
S/N Ratio	More than 38.6dB (AGC off)
Video Out	AHD: 1080p@25/30
Lens	f=3.3mm, F2.0
Lens (Mount)	Board Mount(M12)
Angle of View	114.7°(D), 97°(H), 52.7°(V)
OSD	Via UTC
Exposure	AE
White Balance	AWB
BLC	N/A
Day & Night Mode	Color(Default), Auto, B/W
Gain Control	Off, Low, Middle, High
Electronic Shutter	Auto (1/50(60)~1/2,000)
DSS(Sens-up)	N/A
Noise Reduction	2DNR
Mirror	Off(Default), On(Mirror, Flip)
Microphone	N/A
Power Source	DC5~12V
Power Consumption	Less than 0.75 Watts (60mA@DC12V)
Operating Temp.	-10℃ ~ 55℃ (Humidity :0%RH ~ 90%RH)
Size (mm)	31mm x 33.5mm
Weight	168g (with 6pin Din cable)



Main Features

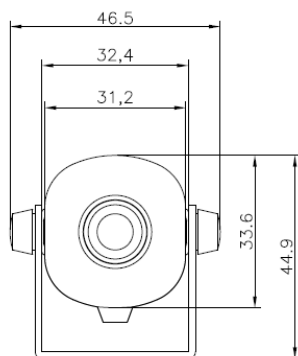
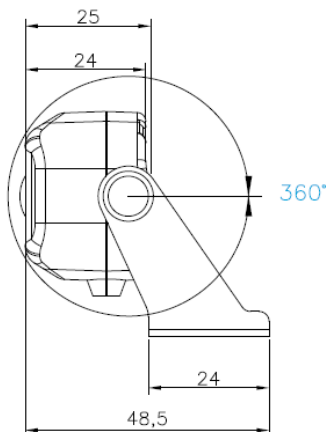
- 1/4" CMOS Sensor
- Approx. 0.95M Pixels (720p Resolution)
- Fixed Board Lens (f=2.5mm)
- 2D-DNR Supported
- Operation Voltage : DC5~12V
- Providing with Video Extension Cable
- Miniature Box Type(31x33.5mm)



Specifications

Model	DTR-100A
Signal System	AHD 1.0
Pickup Device	1/4"(D-4.5mm) 0.95M CMOS Sensor
Scanning System	Progressive Scan (16:9)
Sync. System	Internal
Total Pixels	1.23MP [1650(H)x750(V)]
Active Pixels	0.95MP [1296(H)x736(V)]
Min. Illumination	0.5Lux
Resolution	720p HD
S/N Ratio	More than 44dB (AGC off)
Video Out	AHD: 720p@25/30
Lens	f=2.5mm, F2.2
Lens (Mount)	Board Mount(M12)
Angle of View	100°(D), 85°(H), 49°(V)
OSD	N/A
Exposure	AE
White Balance	ATW
BLC	N/A
Day & Night Mode	Color(Default), Auto(Factory Selectable)
Gain Control	Auto
Electronic Shutter	Auto
DSS(Sens-up)	N/A
Noise Reduction	2DNR
Mirror	Off(Default), On(Mirror, Flip: Factory Selectable)
Microphone	N/A
Power Source	DC5~12V
Power Consumption	Less than 0.6 Watts
Operating Temp.	-10°C ~ 55°C (Humidity :0%RH ~ 90%RH)
Size (mm)	31x33.5
Weight	168g (with 6pin Din cable)

Dimension



DTR-100

D1(720X480) RESOLUTION, 5V CAMERA

D-TEG



Main Features

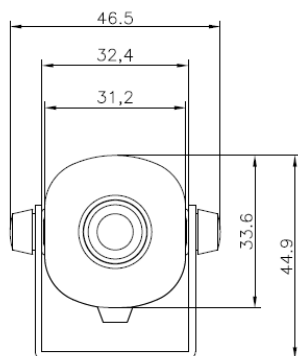
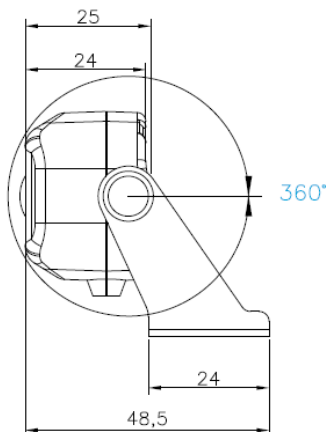
- 1/3" 720H WDR CMOS Sensor
- Approx. 350K Pixels (550 TV Lines)
- Fixed Board Lens (f=2.34)
- WDR / 2D-DNR Supported
- Operation Voltage : DC5V
- 1ch Half-pitch Slide Switch: NTSC or PAL Selectable
- Provided with 5M Video Extension Cable with Stereo Jack
- Miniature Box Type(31x33.5mm)



Specifications

Model	DTR-100	
Signal System	NTSC	PAL
Pickup Device	1/3"(D-6mm) 720H WDR CMOS Sensor	
Scanning System	2:1 Interlace	
Sync. System	Internal	
Total Pixels	400K [776(H)x516(V)]	
Effective Pixels	345K [720(H)x480(V)]	
Scanning Frequency	59.94Hz(VD)	50Hz(VD)
Min. Illumination	0.2Lux	
H-Resolution	Max. 550TV Lines(H)	
S/N Ratio	More than 43dB (AGC on)	
Lens	f=2.34 (F2.2)	
Lens (Mount)	Board Mount(M12)	
Angle of View	160°(D), 116°(H), 89°(V)	
OSD	N/A	
Camera Title	N/A	
Language	N/A	
Exposure	AE	
White Balance	ATW	
Day & Night Mode	Color (Default) / Auto (Factory Selectable)	
Gain Control	Auto	
Electronic Shutter	1/60~1/2,000sec	1/50~1/2,000sec
WDR	Yes	
DSS (Sens-up)	N/A	
Noise Reduction	2D-DNR	
Mirror	Off(Default), On(H, V, HV - Factory Selectable)	
Other Features	Factory Selectable (Parking Line)	
Signal Output	1.0 Vp-p Composite (75Ω)	
Power Source	DC5V only	
Power Consumption	Less than 0.7Watts (120mA@DC5V)	
Operating Temp.	-10℃ ~ 55℃ (Humidity :0%RH ~ 90%RH)	
Size (mm)	31mm x 33.5mm	
Weight	151g (Gift box Packing)	

Dimension



MADE IN KOREA