

DTR-200BN

1080P(FULL HD) RESOLUTION, 12V CAMERA

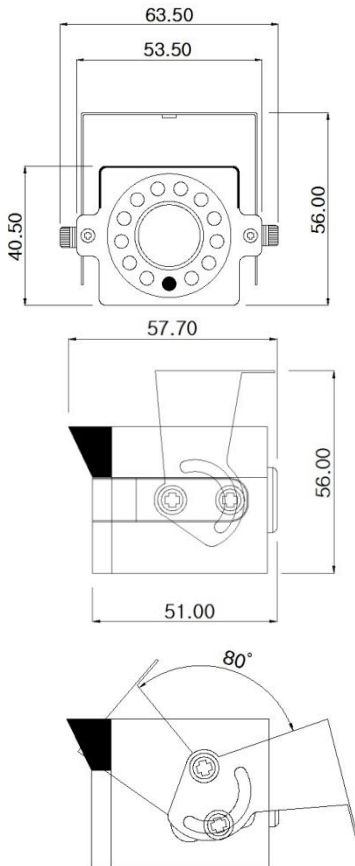


Main Features

- 1/2.9" 1080p Sony CMOS Sensor
- 2.19M Pixels (1,000 TV Lines)
- Manual Fixed Lens (f=2.8mm)
- 12pcs LEDs(Max. 6M - Outdoor)
- UTC Supported
- AHD2.0 Camera (Universal Analog HD Video Formats)
- Internal Microphone



Dimension



Option

- Lens
- Audio (Model: DTR-200BNM)

Specifications

Model	DTR-200BN
Signal System	AHD 2.0
Pickup Device	1/2.9"(D-6.23mm) 2.19M Sony Exmor CMOS Sensor
Scanning System	Progressive Scan (16:9)
Sync. System	Internal
Total Pixels	2.24MP [2,000(H)x1,121(V)]
Active Pixels	2.19MP [1,985(H)x1,105(V)]
Min. Illumination	0.1Lux, 0Lux(IR on)
No. of IRED	12pcs of 850nm LED
H-Resolution	More than 1,000TV Lines(H)
S/N Ratio	More than 50dB (AGC off)
Video Out (BNC)	AHD: 1080p@25/30
Lens	Fixed f=2.8mm, F2.5
Lens (Mount)	Board type (M12)
Angle of View	113°(D), 98° (H), 52°(V)
OSD	Via UTC or OSD Cable(AD port)
Camera Title	Off, On(Max. 15 Characters)
Language	English, Russian, French, Spanish, Portuguese, German Chinese(Simplified), Chinese(Traditional), Italian, Polish, Dutch, Turkish
Exposure	AE, Manual
White Balance	AWB, ATW, AWC->SET, Manual, Indoor, Outdoor
BLC	Off, BLC, HSBLC
Day & Night Mode	AUTO, COLOR, B/W, EXT
Gain Control	AGC (1~15)
Electronic Shutter	1/50(60)~1/50,000sec
DSS(Sens-up)	N/A
Noise Reduction	2DNR
Mirror	Off, On(Mirror, Flip, Rotation)
Other Features	Motion Detection (4 Zone), Privacy Mask (4 Zones), Freeze, Neg. Image, Lens Shading, Defog etc.
Microphone	Include (Indoor purpose only)
Power Source	DC 12V
Power Consumption	Less than 2.2 Watts (180mA@DC12V)
Operating Temp.	-10℃ ~ 55℃ (Humidity :0%RH ~ 90%RH)
Size (mm)	63.5(W) x 40.5(H) x 57.7(D) (Without Bracket)
Weight	240g (gift-box packing)

MADE IN KOREA

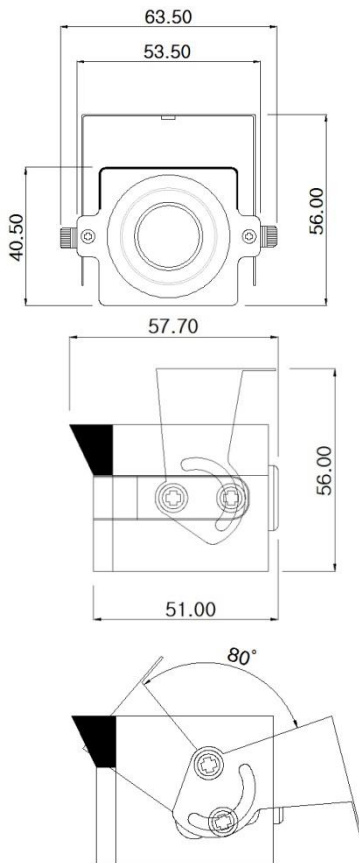


Main Features

- 1/2.9" 2.8μm Sony Exmor Progressive CMOS Sensor
- 2 Mega Pixels (1080p 25/30)
- Manual Fixed Lens (f=2.8mm)
- UTC Supported
- AHD2.0 Camera (Universal Analog HD Video Formats)
- Audio Available Optionally
- Weather-proof Housing (IP66)



Dimension



Option

- Lens
- Audio (Model: DTR-200BM)

Specifications

Model	DTR-200B
Signal System	AHD 2.0
Pickup Device	1/2.9"(D-6.23mm) 2.19M Sony Exmor CMOS Sensor
Scanning System	Progressive Scan (16:9)
Sync. System	Internal
Total Pixels	2.24M [2000(H)x1121(V)]
Active Pixels	2.12M [1936(H)x1097(V)]
Min. Illumination	0.1Lux
No. of IRED	N/A
S/N Ratio	More than 50dB (AGC off)
Video Out (BNC)	AHD: 1080p@25/30
Lens	Fixed f=2.8mm, F2.5
Lens (Mount)	Board type (M12)
Angle of View	116°(D), 98° (H), 53.4°(V)
OSD	Via UTC or OSD Cable(AD port)
Camera Title	Off, On(Max. 15 Characters)
Language	English, Russian, French, Spanish, Portuguese, German Chinese(Simplified), Chinese(Traditional), Italian, Polish, Dutch, Turkish
Exposure	AE, Manual
White Balance	AWB, ATW, AWC->SET, Manual, Indoor, Outdoor
BLC	Off, BLC, HSBLC
Day & Night Mode	AUTO, COLOR, B/W, EXT
Gain Control	AGC (1~15)
Electronic Shutter	1/50(60)~1/50,000sec
DSS(Sens-up)	N/A
Noise Reduction	2DNR
Mirror	Off, On(Mirror, Flip, Rotation)
Other Features	Motion Detection (4 Zone), Privacy Mask (4 Zones), Freeze, Neg. Image, Lens Shading, Defog etc.
Microphone	Available (Option, Indoor purpose only)
Power Source	DC 12V
Power Consumption	Less than 1.1 Watts (90mA@DC12V)
Operating Temp.	-10℃ ~ 55℃ (Humidity :0%RH ~ 90%RH)
Size (mm)	63.5(W) x 40.5(H) x 57.7(D) (Without Bracket)
Weight	228g (gift-box packing)

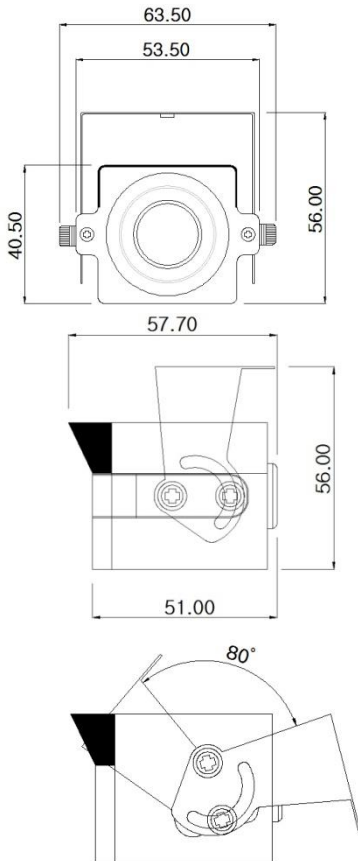


Main Features

- 1/3" 720p Sony CMOS Sensor
- 1.27M Pixels (800 TV Lines)
- Manual Fixed Lens (f=2.8mm)
- 3D-DNR, DSS (Sens-up) Supported
- UTC Supported
- AHD1.0 Camera (CVBS Out Mode Supported)
- Weather-proof Housing (IP66)



Dimension



Option

- Lens
- Audio (Model: DTR-200AM)

Specifications

Model	DTR-200A
Signal System	AHD 1.0
Pickup Device	1/3"(D-6.09mm) 1.27M Sony Exmor CMOS Sensor
Scanning System	Progressive Scan (16:9)
Sync. System	Internal
Total Pixels	1.30MP [1312(H)x993(V)]
Active Pixels	1.27MP [1297(H)x977(V)]
Min. Illumination	0.05Lux, 0.001Lux(DSS on)
No. of IRED	N/A
H-Resolution	More than 800TV Lines(H)
S/N Ratio	More than 50dB (AGC off)
Video Out (BNC)	AHD: 720p@25/30 or CVBS 1.0V p.p
Lens	Fixed f=2.8mm, F2.5
Lens (Mount)	Board type (M12)
Angle of View	123.5°(D), 97.5° (H), 54.5°(V)
OSD	Via UTC or OSD Cable(AD port)
Camera Title	Off, On(Max. 15 Characters)
Language	English, Russian, French, Spanish, Portuguese, German Chinese(Simplified), Chinese(Traditional), Italian, Polish, Dutch, Turkish
Exposure	AE, Manual
White Balance	AWB, ATW, AWC->SET, Manual, Indoor, Outdoor
BLC	Off, BLC, HSBLC
Day & Night Mode	AUTO, COLOR, B/W, EXT
Gain Control	AGC (1~15)
Electronic Shutter	1/50(60)~1/50,000sec
DSS(Sens-up)	Off, On(Max. X30)
Noise Reduction	2DNR, 3DNR
Mirror	Off, On(Mirror, Flip, Rotation)
Other Features	Motion Detection (4 Zone), Privacy Mask (4 Zones), Freeze, Neg. Image, Lens Shading, Defog etc.
Microphone	Available (Option, Indoor purpose only)
Power Source	DC 5~12V
Power Consumption	Less than 1.1 Watts (90mA@DC12V)
Operating Temp.	-10℃ ~ 55℃ (Humidity :0%RH ~ 90%RH)
Size (mm)	63.5(W) x 40.5(H) x 57.7(D) (Without Bracket)
Weight	228g (gift-box packing)

DTR-200

D1(720x480) RESOLUTION, 12V CAMERA

D-TEG

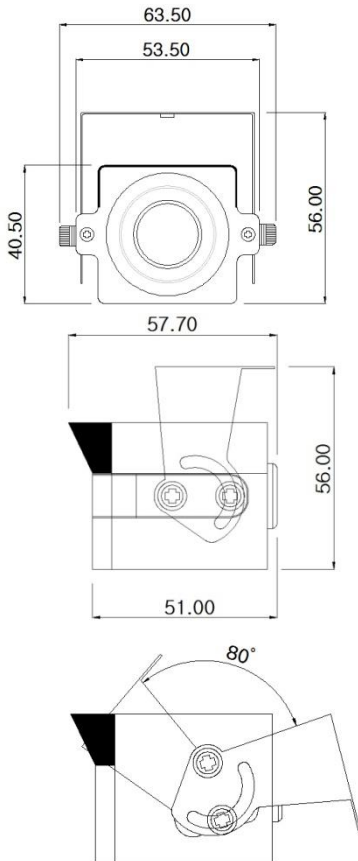


Main Features

- 1/3" 960H Panasonic CCD
- 520K Pixels (700 TV Lines)
- Manual Fixed Lens (f=2.8mm)
- Weather-proof Housing (IP66)



Dimension



Option

- Lens

Specifications

Model	DTR-200 (NTSC)	DTR-200 (PAL)
Signal System	NTSC	PAL
Pickup Device	1/3"(D-6mm) 960H Panasonic CCD	
Scanning System	2:1 Interlace	
Sync. System	Internal	
Total Pixels	520K [1020(H)x508(V)]	610K [1020(H)x596(V)]
Active Pixels	480K [976(H)x494(V)]	570K [976(H)x582(V)]
Min. Illumination	0.1Lux	
No. of IRED	N/A	
H-Resolution	700TV Lines(H)	
S/N Ratio	More than 52dB (AGC off)	
Video Out (BNC)	1.0 Vp-p Composite (75Ω)	
Lens	Fixed f=2.8mm, F2.5	
Lens (Mount)	Board type (M12)	
Angle of View	111°(D), 84° (H), 63°(V)	
OSD	Via OSD Cable(AD port)	
Camera Title	Off, On(Max. 8 Characters)	
Language	English, Russian, Chinese(Simplified), Chinese(Traditional)	
Exposure	AE, Manual	
White Balance	ATW, Push, Manual	
BLC	Off, BLC, HLC	
Day & Night Mode	AUTO, CDS, EXT	
Gain Control	AGC (1~15)	
Electronic Shutter	1/50(60)~1/50,000sec	
DSS(Sens-up)	N/A	
Noise Reduction	2DNR	
Mirror	Off, On(Mirror)	
Other Features	Motion Detection, Privacy Mask, Neg. Image, Defog etc.	
Microphone	N/A	
Power Source	DC 12V	
Power Consumption	Less than 1.1 Watts (90mA@DC12V)	
Operating Temp.	-10℃ ~55℃ (Humidity :0%RH ~ 90%RH)	
Size (mm)	63.5(W) x 40.5(H) x 57.7(D) (Without Bracket)	
Weight	228g (gift-box packing)	

MADE IN KOREA