

# STR-200

Rear View Color Camera

## Rear View Color Camera

# STR-200

- Strong High Volatage Protection
- Special Anti-fog Coated glass
- 10M Underwater Pressure tested
- Sony New CCDII



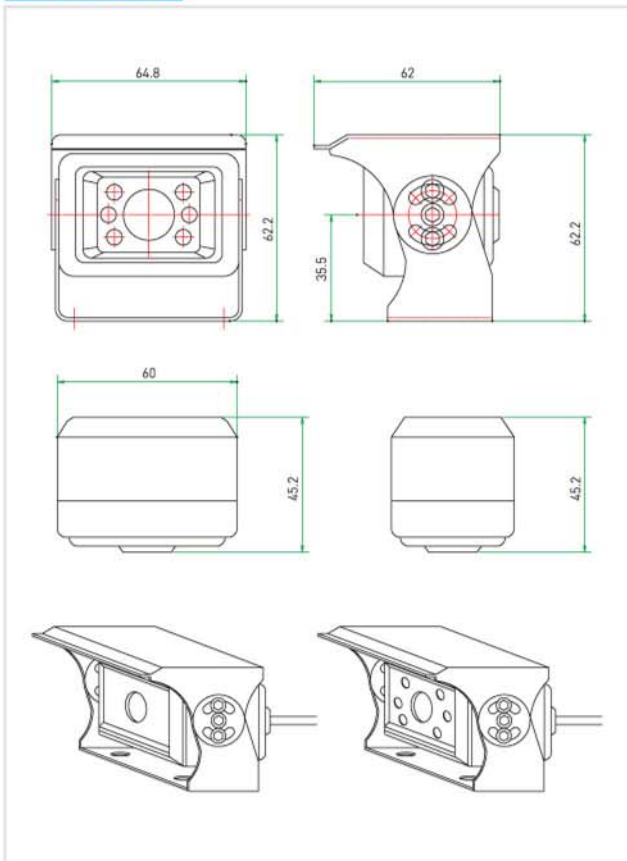
## FEATURES

Sony 1/3" Super HAD Color CCD  
(High Sensitivity CCD II)

- ▶ World Best Wide View 120°
- ▶ 380 TV Lines(NTSC) / 420 TV Line(PAL)
- ▶ 850nm IR LED 5EA / CDS Sensor 1EA
- ▶ AGC, AWB, Auto Iris
- ▶ MIC. (50dB)



**DIMENSION**



**SPECIFICATIONS**

ITEM	STR-200
Image Sensor	1/3" SONY SUPER HAD CCD, 270K Pixel [High Sensitivity CCD II]
Effective Pixel	(H)510 x (V)492 (NTSC) / (H)500 x (V)582 (PAL)
Scanning System	2:1 Interlacing / 525 Lines [NTSC] , 625 Lines [PAL]
Sync. System	Internal Sync
Scanning Frequency	NTSC : (H)15.734 KHz x (V)59.94 Hz / PAL : (H)15.625 KHz x (V)50 Hz
Horizontal Resolution	More than 380 TV Lines [NTSC] / 420 TV Lines [PAL]
Video Output	VBS 1.0Vp-p ± 10% 75Ω
S/N Ratio	50 dB Min (AGC off, Y signal)
Min. Illumination	0.05Lux at F2.0 AGC ON
Lens	f=2.9mm , View120° [Dia.]
Gain Control	Automatic Gain Control
Gamma	γ = 0.45
Shutter Speed	Electronic Auto Iris 1/50 ~ 1/100,000 [PAL] / 1/60 ~ 1/100,000 [NTSC]
Input Voltage	DC 9V ~ 28V , (DC 12V , 80mA MAX)
Ambient Temperature	-20℃ ~ 70℃ , 85%RH
MIRROR	ON / OFF
BLC	YES
Housing Color	Black, Silver
IP Resistance	Certified IP 67 Level
Approval	CE, FCC, E-mark

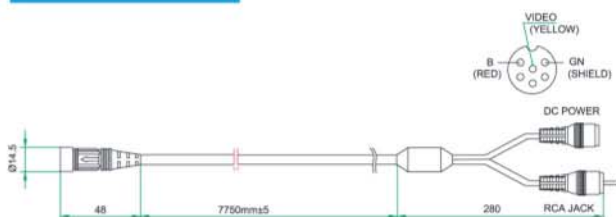


ITEM	STR-200 IR
Image Sensor	1/3" SONY SUPER HAD CCD, 270K Pixel [High Sensitivity CCD II]
Effective Pixel	(H)510 x (V)492 (NTSC) / (H)500 x (V)582 (PAL)
Scanning System	2:1 Interlacing / 525 Lines [NTSC] , 625 Lines [PAL]
Sync. System	Internal Sync
Scanning Frequency	NTSC : (H)15.734 KHz x (V)59.94 Hz / PAL : (H)15.625 KHz x (V)50 Hz
Horizontal Resolution	More than 380 TV Lines [NTSC] / 420 TV Lines [PAL]
Video Output	VBS 1.0Vp-p ± 10% 75Ω
S/N Ratio	50 dB Min (AGC off, Y signal)
Min. Illumination	0.05Lux at F2.0 AGC ON
Lens	f=2.9mm , View120° [Dia.]
Gain Control	Automatic Gain Control
Gamma	γ = 0.45
Shutter Speed	Electronic Auto Iris 1/50 ~ 1/100,000 [PAL] / 1/60 ~ 1/100,000 [NTSC]
Input Voltage	DC 9V ~ 28V , (DC 12V , 80mA MAX)
Ambient Temperature	-20℃ ~ 70℃ , 85%RH
MIRROR	ON / OFF
BLC	YES
IR LED	850nm IR LEDs 5EA / CDS Sensor 1EA
Night View Distance	Outdoor 10m
MIC.	44dB
Housing Color	Black, Silver
IP Resistance	Certified IP 67 Level
Approval	CE, FCC, E-mark

**Optional Extension Cable**



**Cable Dimension**



► Design and specifications are subject to change without notice.