

STR-100

Rear View Color Camera

Real View Color Camera

STR-100

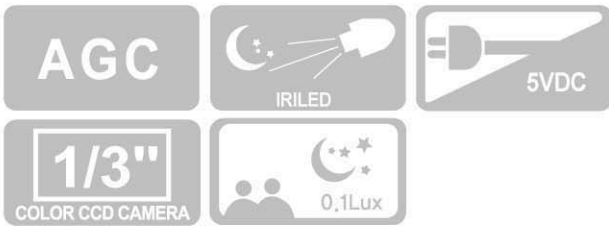
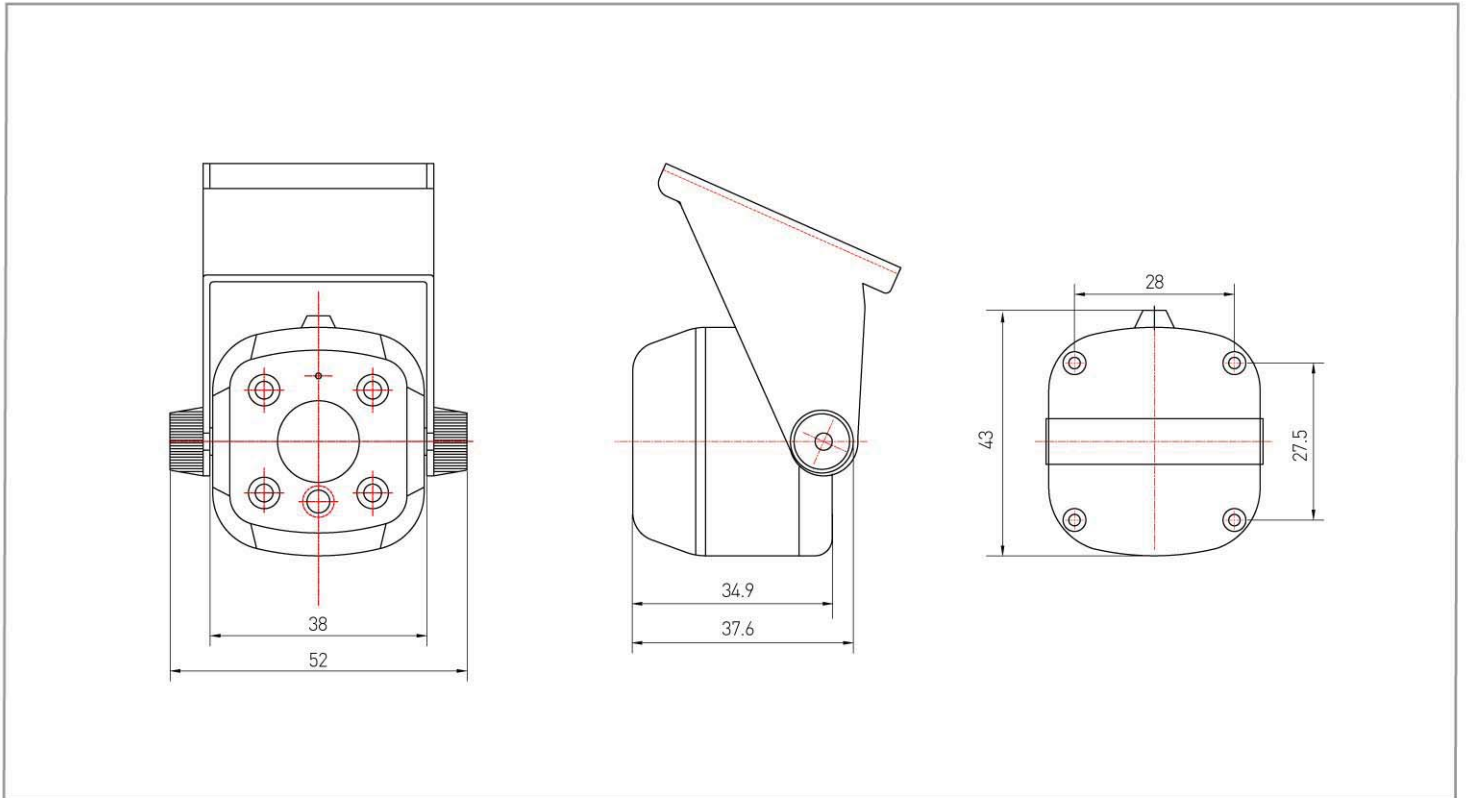


FEATURES

SONY 1/3 Inch Supersensitive CCD

- ▶ View 145°
- ▶ Audio AGC circuit for preventing the saturation
- ▶ 4 units 940nm Infrared LED(degree 56°, 3ø)
 - ▶ 380TV Line
 - ▶ CDS Sensor (LED on at 10Lux)
- ▶ Reaching distance of the IR LED : 5m
- ▶ Input voltage : DC + 5V ± 10%

DIMENSION



SPECIFICATIONS

ITEM	STR-100	
Signal System	NTSC	PAL
Image Sensor	1/3" SONY Color Super HAD CCD II	
Total pixels	537(H) x 505(V)	537(H) x 597(V)
Effective pixels	510(H) x 492(V)	500(H) x 582(V)
Scanning	2:1 Interlace	
Sync System	Internal Sync	
Frequency (Horizontal)	1 5.734KHz	1 5.625KHz
Frequency (Vertical)	15.734KHz	
TV Video Output	1 (Vp-p) Composite 75Ω unbalanced	
Resolution	380TV Lines	
Electronic shutter	1/60-1/100,000(sec)	1/50-1/100,000(sec)
S/N Ratio	More Than 50dB (AGC OFF)	
Min. illumination	0.1Lux (F2.0) / Under 0Lux for infrared Lighting condition	
Gamma	r = 0.45 typ	
IR LED	4 IR LEDs (940nm, 40Degree visible, 100mA, 5Ø)	
IR LED Beam Length	5m	
Lens	Fixed focal lens (STD. 2.9mm)	
Power supply	DC5V (±10%) Input	
Current consumption	DC5V Max. 300mA (LED ON) / 180mA (LED OFF)	
Storage Temperature	-30°C ~ +80°C	
Operating Temperature	-10°C ~ +60°C	
Dimension	32 x 31 (mm)	

Optional Extension Cable



Cable Dimension

